

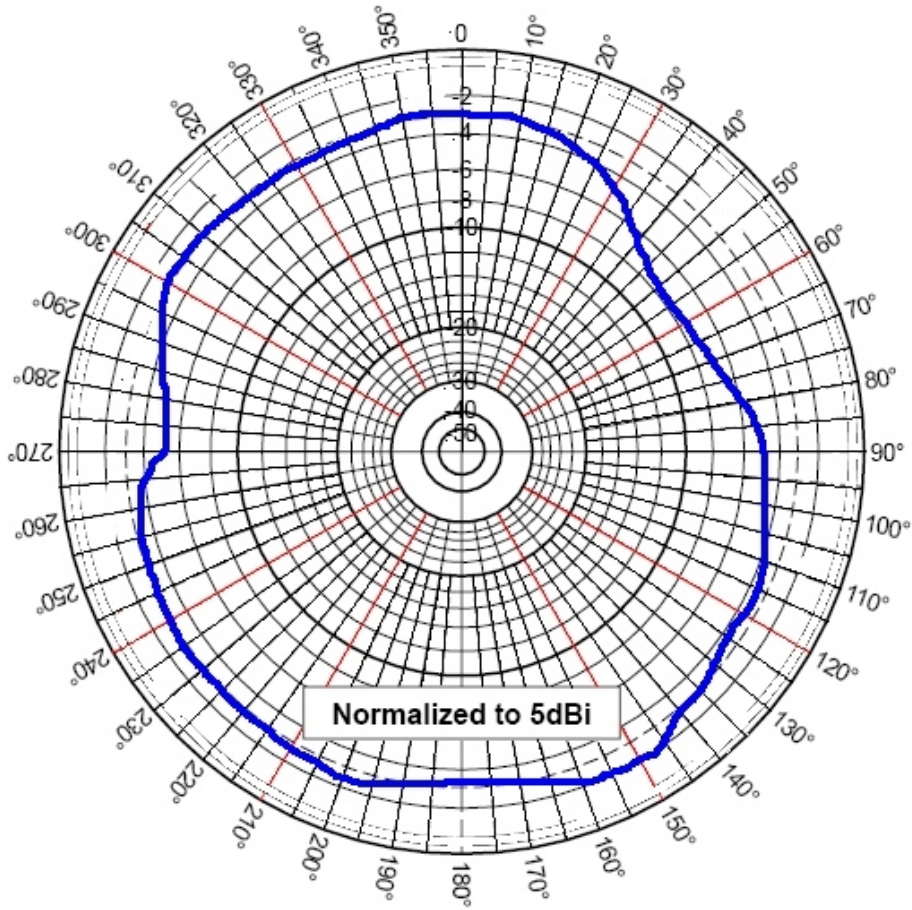


patch antenna | 2J500L

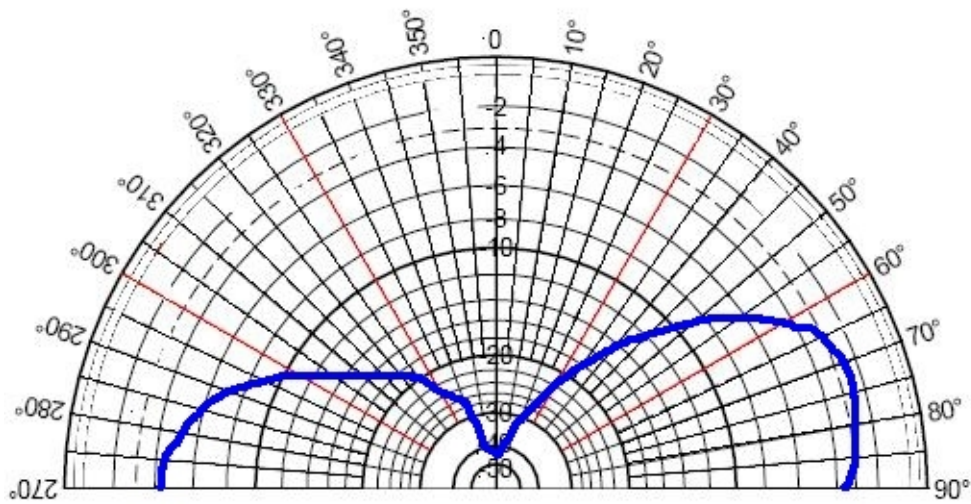
reference

2J500L

mounting position	ON GLASS
nominal impedance	50 Ohms
frequency	TETRA, 380-500MHz / AMPS 824-894MHz GSM 900, 1800 Mhz / PCN 1,9GHz UMTS 2,1GHz/ Bluetooth 2,4GHz
polarization	VERTICAL
gain	2.25 dBi
vswr	<1,5/2
power handling	25W
cable	2.5m RG174
connector	FME Female
housing size	22mm x 126,5mm
working temperature	-40°C to +85°C

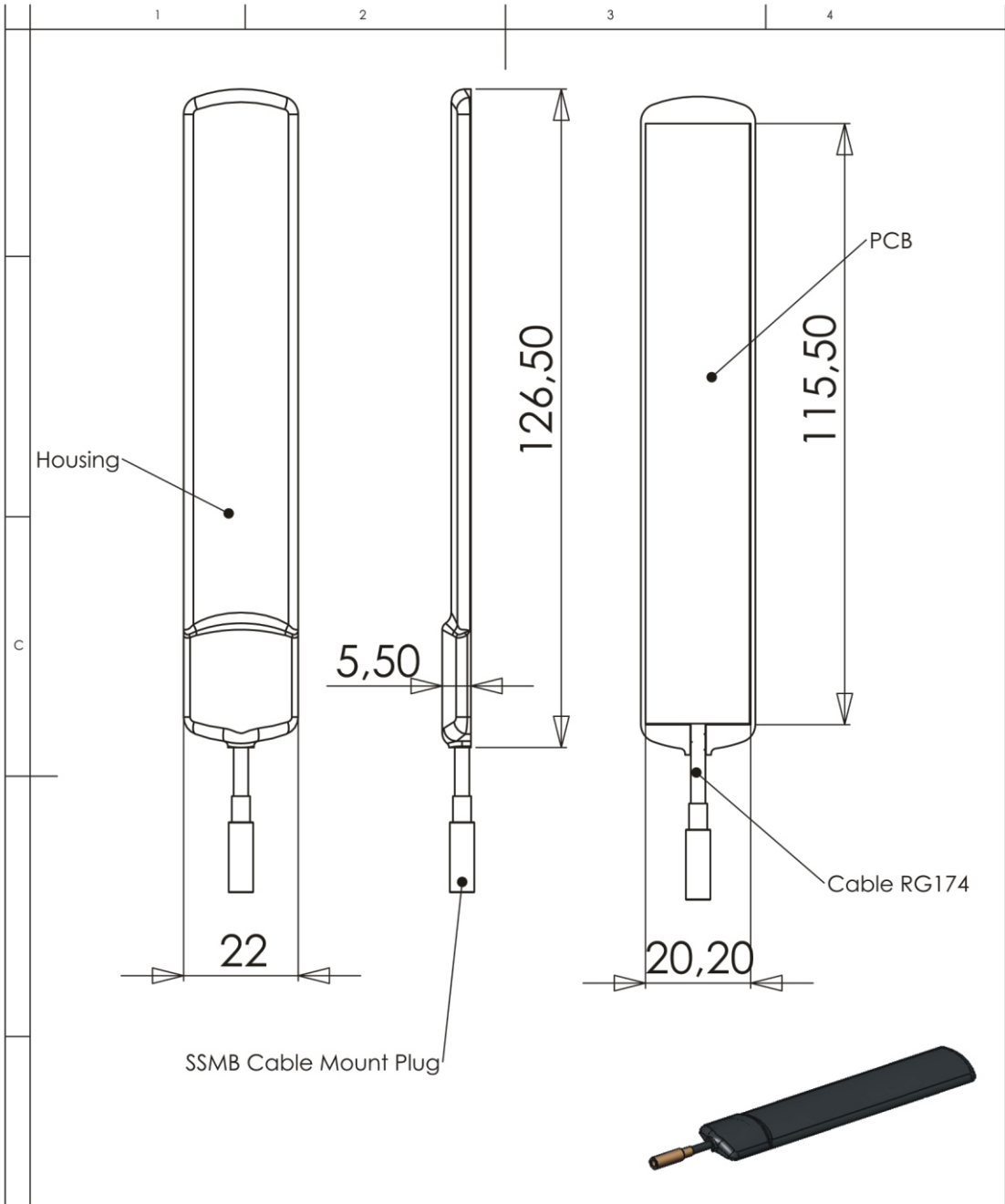


Azimuthal Pattern (X, Y or E-Plane)



Elevation Pattern (Z, Y or H-Plane)

patch antenna | 2J500L



THE INFORMATION CONTAINED IN THIS DRAWING IS THE SOLE PROPERTY OF 2J SRO

AUTHOR		DATE		DO NOT SCALE DRAWING		REVISION			
S. Mank		30.10.2007		STEFANIKOVA 61 BARDEJOV 085 01 SLOVAK REPUBLIC		TEL: +421 54 488 0130 FAX: +421 54 488 2971			
NOTES:				DEBUR AND BREAK SHARP EDGES					
				FINISH:				TITLE:	
				MATERIAL:		DWG NO. 2J500L		A4	
				WEIGHT:		SCALE: 1:1		SHEET(S) OF SHEETS: 1 OF 1	